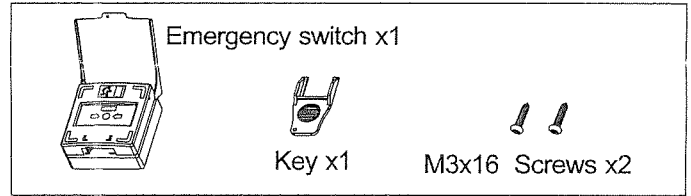
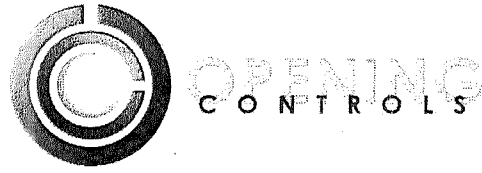


Resettable Switch Call Point Installation Manual

※ Features OC NR3IL

1. Case has a variety of colors to select.
2. Resettable design, obvious indicators around the edges of the unit.
3. Press the pressing plate to enable the output function.
4. Pressing plate with status shown.
5. Reversionary key with non-slip design.
6. Built-in buzzer status to set as silent, interval wailing or continuous wailing. Volume is adjustable.
7. Input power range from DC12-24V (depending on the model) to connect with all types of fire alarm system.
8. Easy to assemble, outer case without screws, 3 set of output points to connect other equipment, embedded or surface installations to select.

※ Accessories

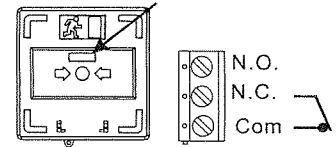


※ Specifications

Item	Model	OC NR3IL	Note
Power supply		DC 12V~DC 24V	× ± 10%
Operation current		DC 12V/10mA(Standby)/50mA(Operation)	× ± 10%
		DC 24V/11mA(Standby)/64mA(Operation)	× ± 10%
Buzzer		Set as silent, interval wailing or continuous wailing	×
Indicator		Dual-color (red and green). Red indicator to set blinking, off or on.	×
Output		N.O. · N.C.& COM.Output (Maximum load of 125V/3A)	
Weight		OC NR3IL : 208g	
Dimensions		90mm(L)x93mm(W)x45mm(H)	
Material		ABS, PC(transparent part)	

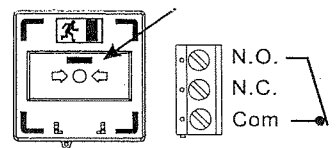
【Standby】

Status display : Green



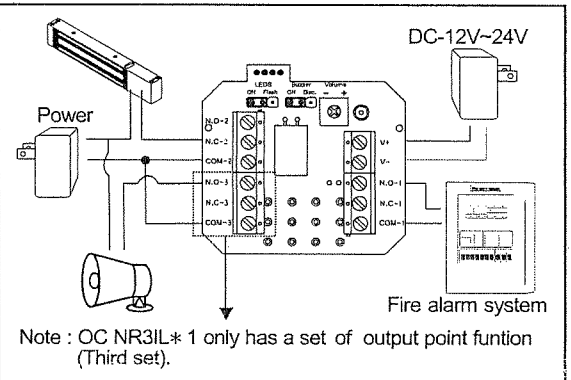
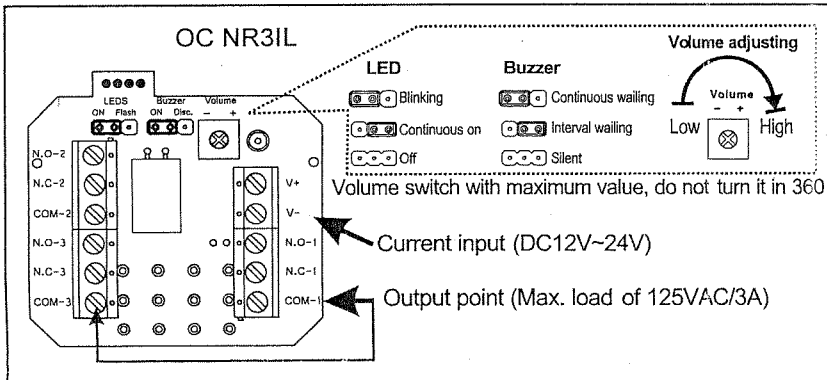
【Operation】

Status display : Red



※ Connections

※ Wiring Diagram

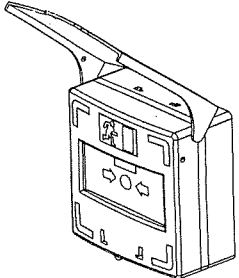
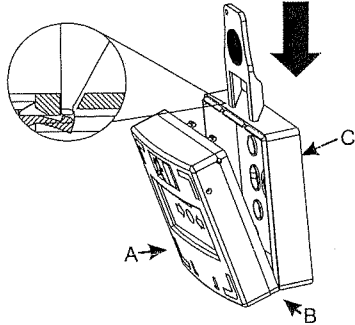
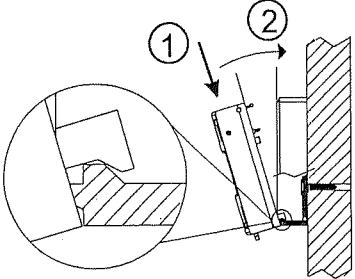
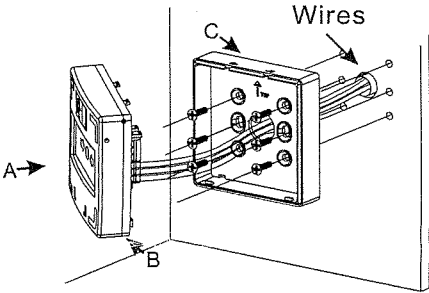
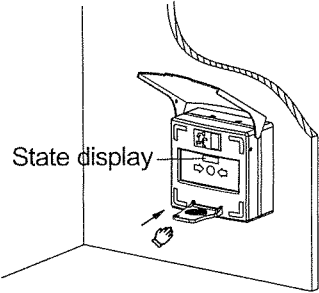


※ Attention before installation

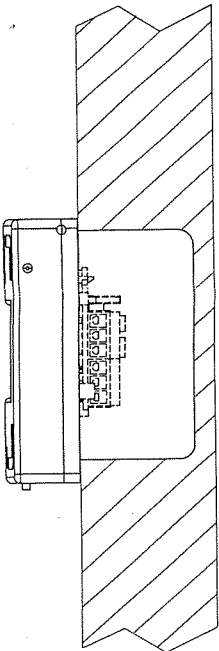
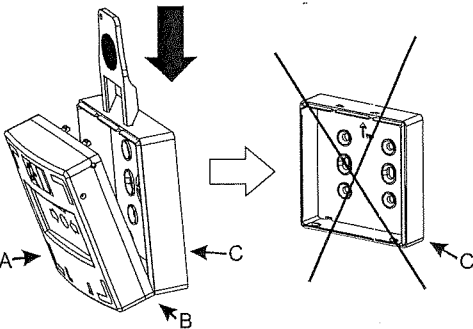
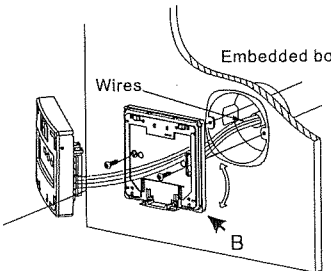
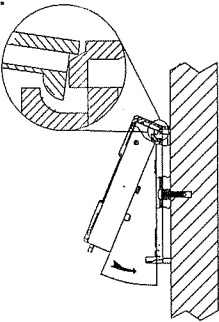
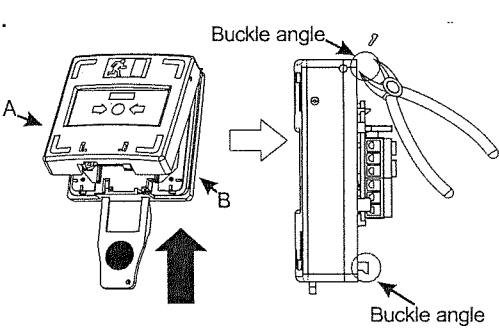
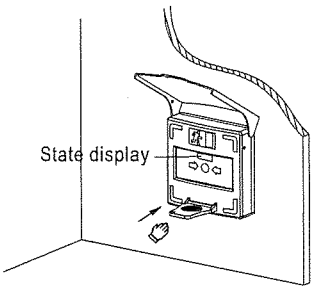
<p>⚠ Please press the pressing plate to make sure the states turns red before opening the front and middle covers in order to prevent the spring being popped out.</p>	<p>▲ Fixed holes embedded box as 60mm.</p>	<p>▲ Restricted terminal's aperture shown below.</p>
--	--	--

※Installation OC NR3IL

Surface Installation

<p>Installation steps</p> <p>Completed</p> 	<p>1.</p>  <p>Use key to disassemble B and C fastenings.</p> <p>3.</p>  <p>Fastening the unit as the diagram shown above.</p>	<p>2.</p>  <p>Fix bottom cover C and connect the wires</p> <p>4.</p>  <p>Insert the key into the key hole. Pull the key out when the states turns green to complete the setting.</p>
--	---	---

Embedded Installation

<p>Installation steps</p> <p>Lateral view</p> 	<p>1.</p>  <p>Use key to disassemble B and C fastenings. No bottom cover C needed for embedded installation.</p> <p>3.</p>  <p>Fix middle cover B and connect the wires.</p> <p>4.</p>  <p>Fastening the unit as the diagram shown above.</p>	<p>2.</p>  <p>Use key to disassemble A and B fastenings. Clip the unnecessary buckle angles.</p> <p>5.</p>  <p>Insert the key into the key hole. Pull the key out when the states turns green to complete the setting.</p>
---	---	--