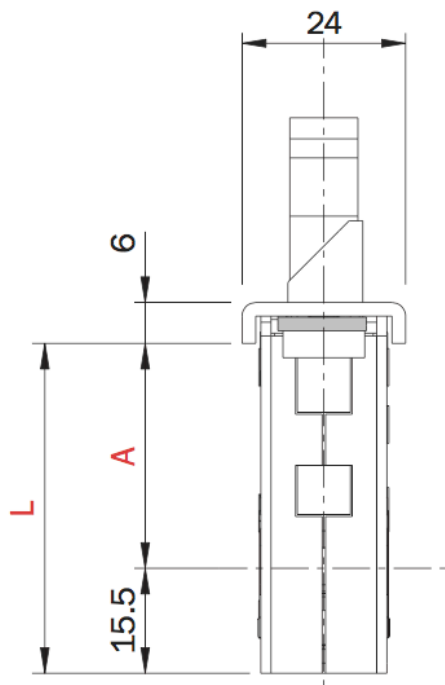
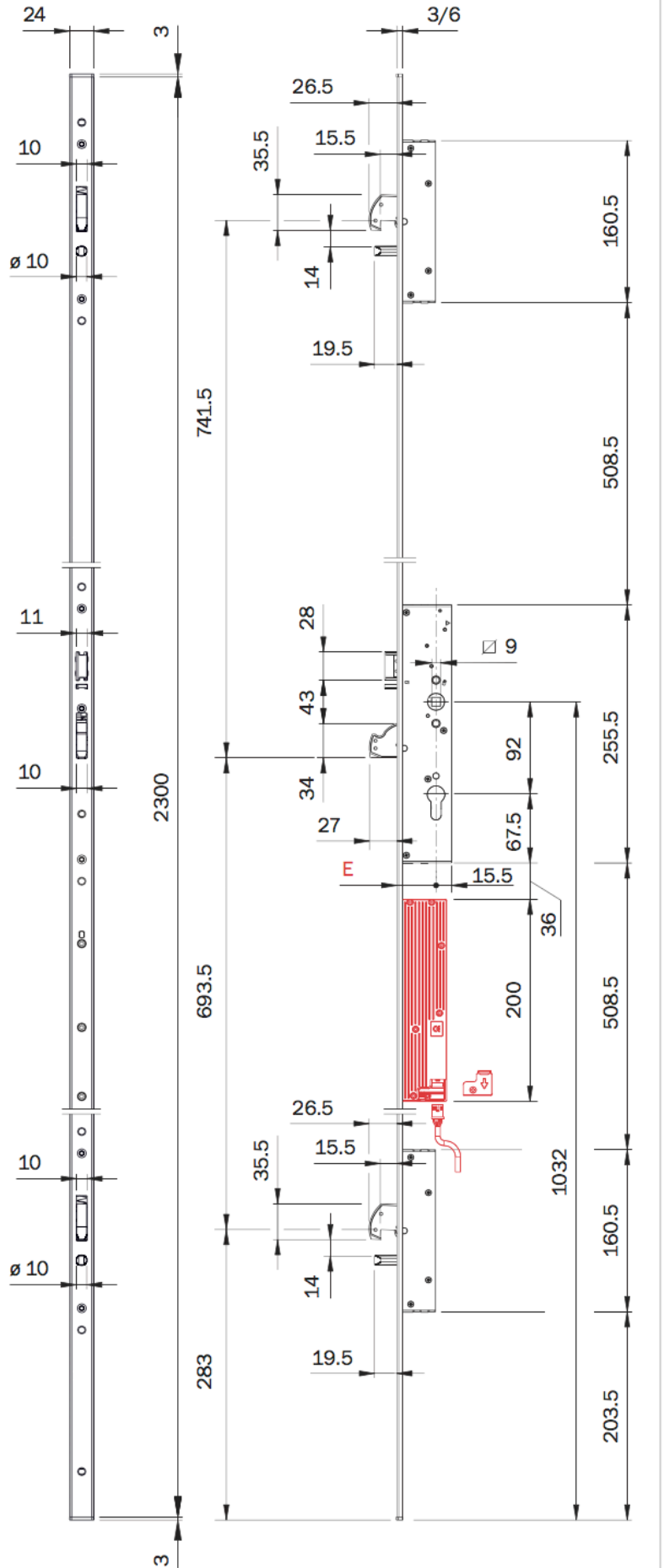
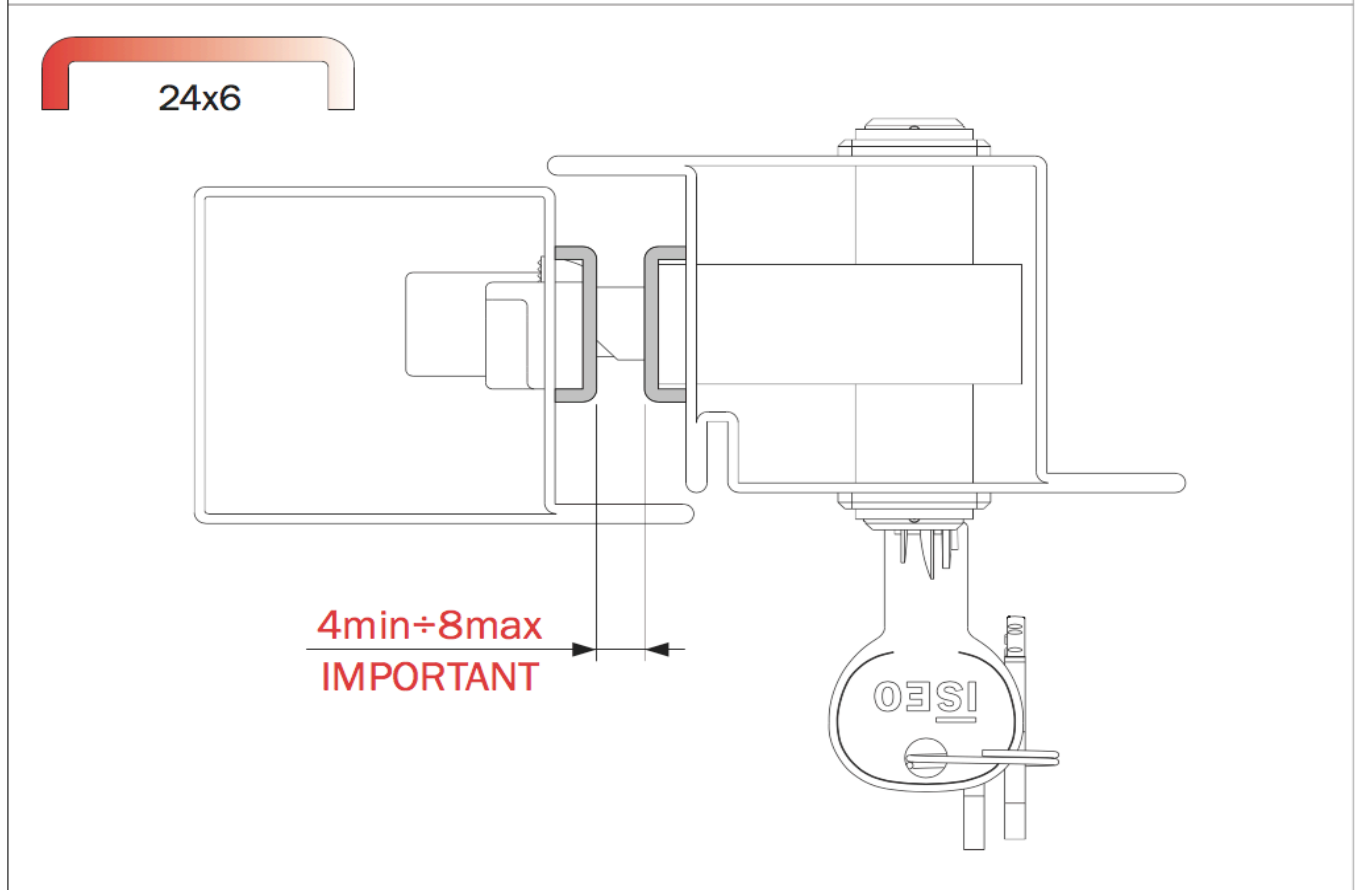
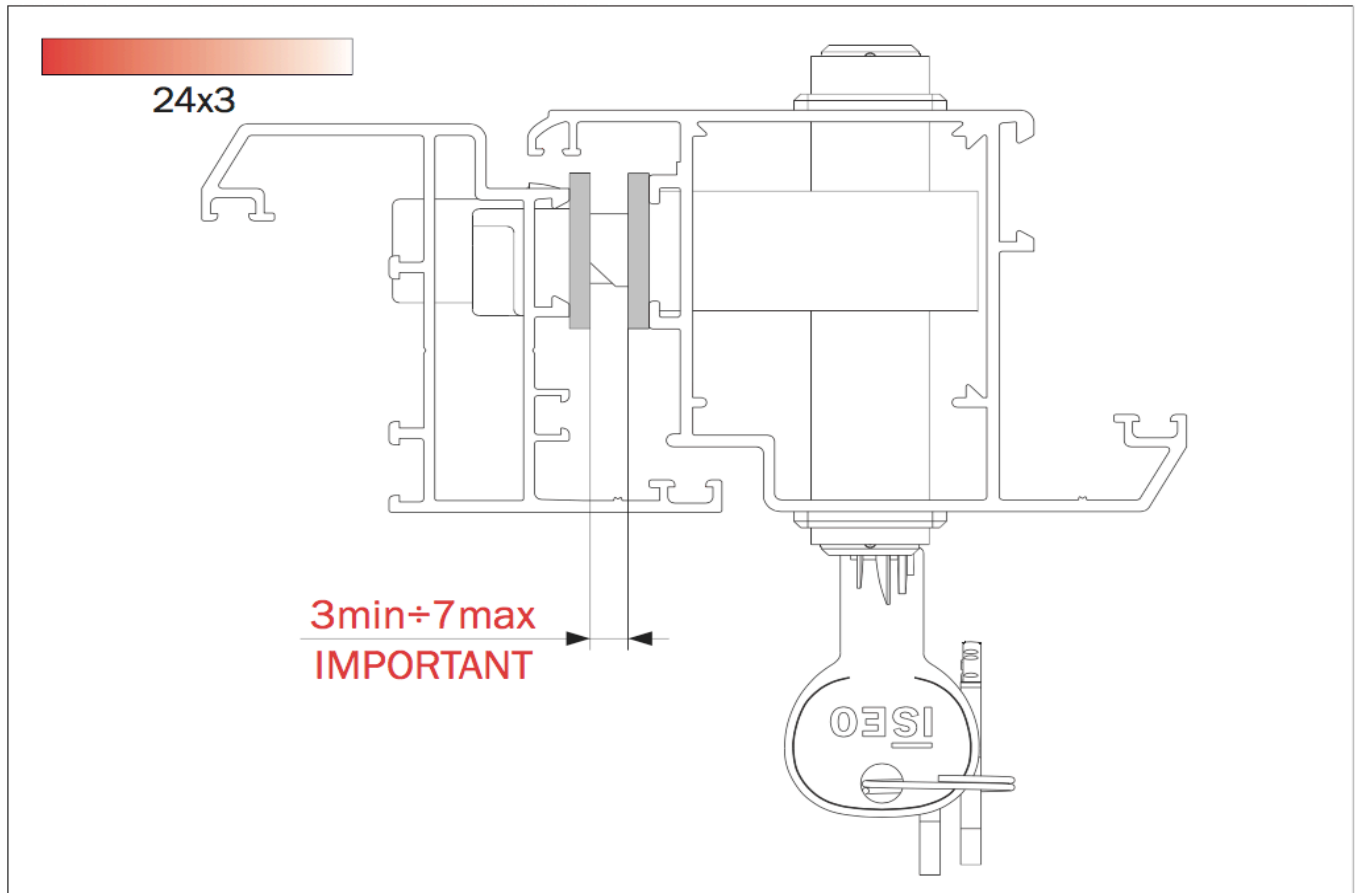


Cod.	E	A	L
7A3*10352*	35	32	47.5
7A3*10402*	40	37	52.5

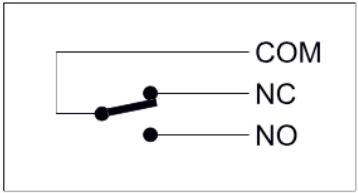


Cod.	E	A	L
7A3*00352*	34	28	43.5
7A3*00402*	39	33	48.5







V max	48V AC/DC	
I max	1A (Resistive Load)	
IP	IP40	
